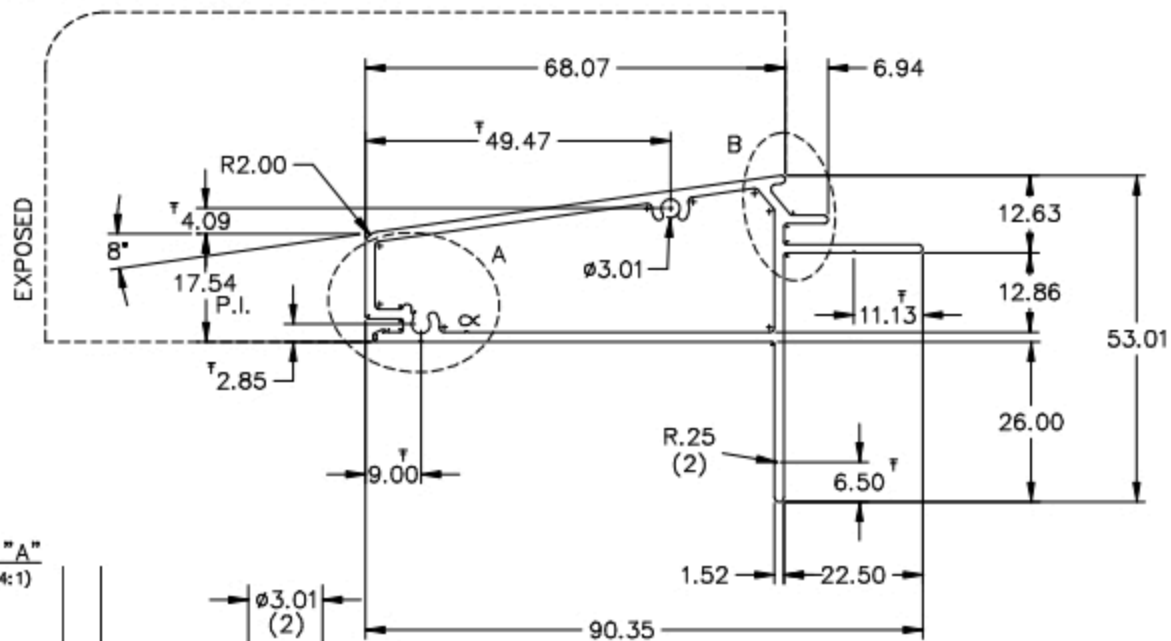
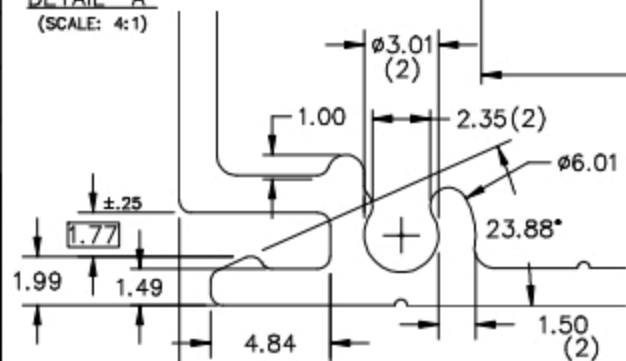


NOTE: Commercial tolerances to apply unless otherwise stated.



DETAIL "A"  
(SCALE: 4:1)



DETAIL "B"  
(SCALE: 2:1)

