

Index

1.0 Using bearing blocks

- 1.1 Maximum deflection of base profile
- 1.2 Distance between bearing blocks
- 1.3 Ensuring vertical and flush installation
- 1.4 Uneven rough opening surface

2.0 Fastening points

- 2.1 Installation screws
- 2.2 Choice of fastener
- 2.3 Installation holes
- 2.4 Fastening point spacing
- 2.5 PremiDoor76 Cross section
- 2.6 PremiDoor88 Cross section

3.0 Shimming the glass unit

- 3.1 Placement of bearing blocks

4.0 Glazing beads

- 4.1 Removal of glazing beads
- 4.2 Insertion of glazing beads

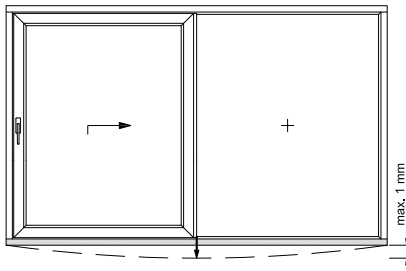


Fig. 1 In order to ensure the proper functioning and durability of the element, the maximum permissible deflection of the frame or base profile is 1 mm.

1.0 Using bearing blocks

Bearing blocks are used as shown in the diagram.

Very important: The element must be installed in a durably load-bearing manner, horizontally perfectly aligned, plumb and evenly shimmed on the inside and outside!

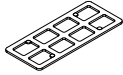
1.1 Maximum deflection of frame or base profile: **±1 mm** (Fig.1).

1.2 Distance between bearing blocks: max. **300 mm**.

1.3 Vertical and flush installation is indispensable, the load-bearing levelling and spacing is ensured with the M582–M586 stackable base blocks in 2, 3, 5, 10, 15 mm.

1.4 If the rough opening surface is uneven, it might be necessary to level the threshold in two tracks.

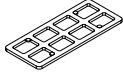
Stackable base blocks



= spacer block

M582

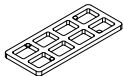
120 x 50 x 2 mm



= bearing block

M583

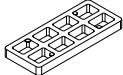
120 x 50 x 3 mm



= bearing block

M584

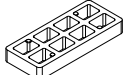
120 x 50 x 5 mm



= bearing block

M585

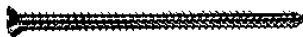
120 x 50 x 10 mm



= bearing block

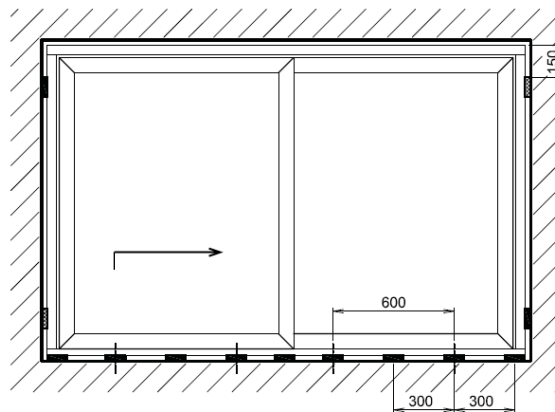
M586

120 x 50 x 15 mm



F100962

Screw#14-10 x 5" (6x130), for PremiDoor installation



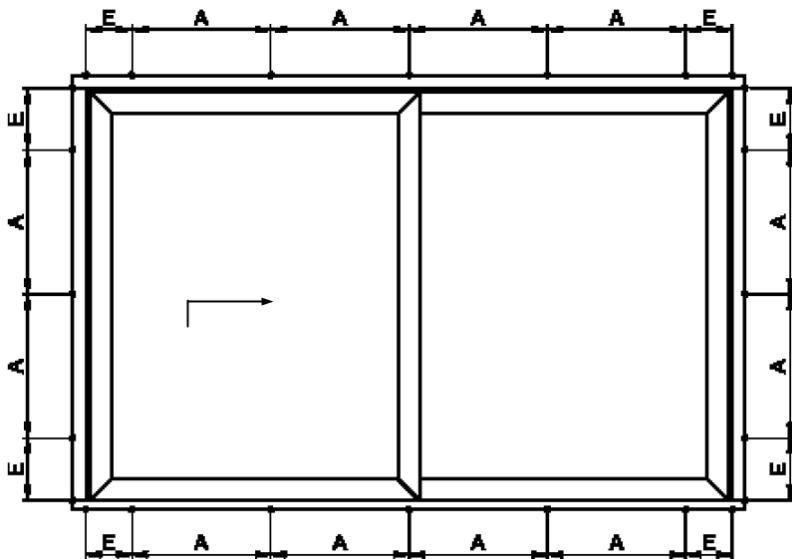
— = support/bearing blocks
 = spacer blocks

2.0 Fastening points

2.1 The fastening is carried out with e.g. installation screws S060. Strap anchors alone are not permitted.

2.2 The choice of fastener depends on the structure of the wall.

2.3 The installation holes are to be drilled into the screw channels of the frame profile (consider 2.5).



2.4 Fastening point spacing according to installation instructions.

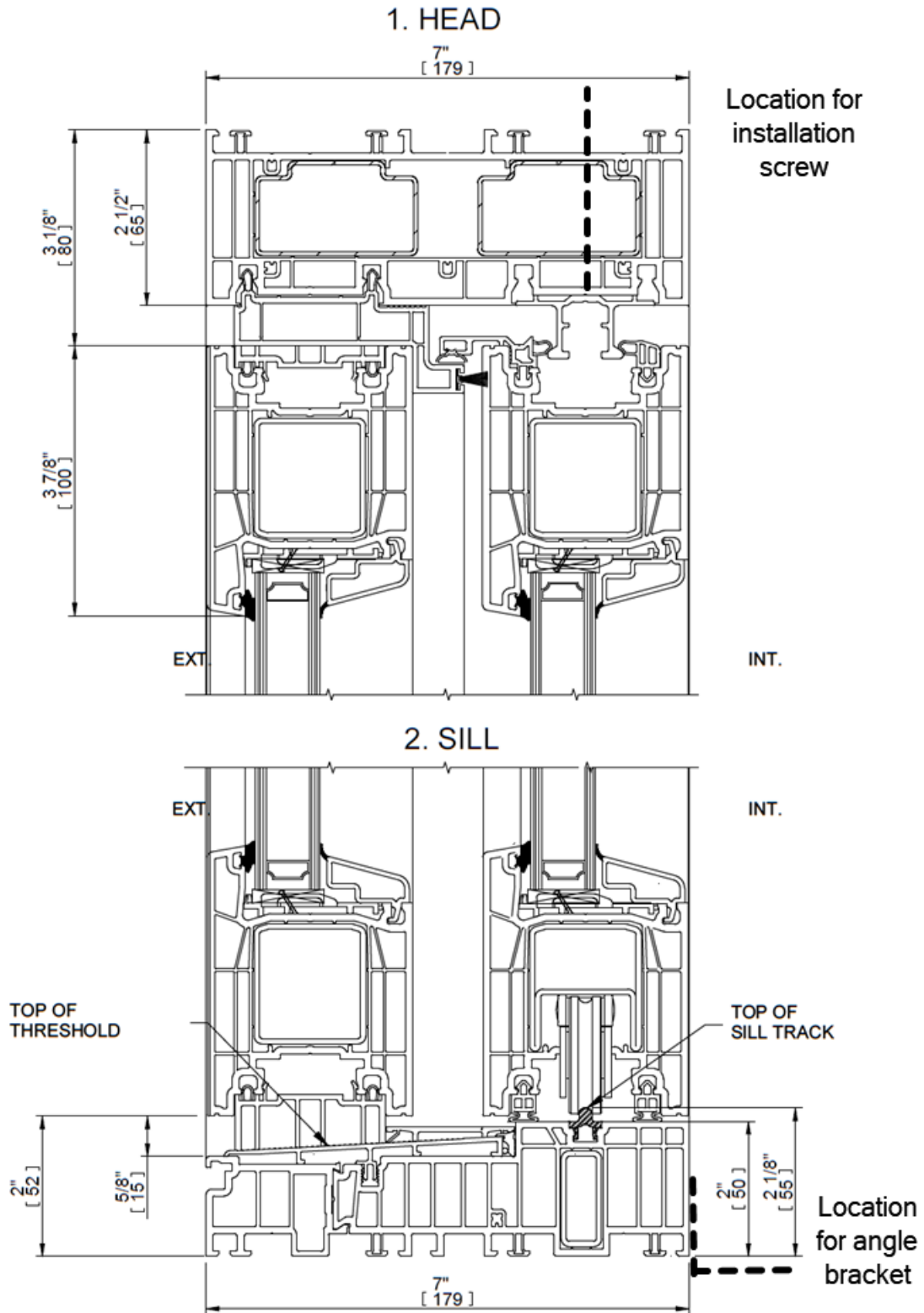
E = Distance of profile inside corner 150 mm

A = Spacing distance of between fastening points max. 700mm

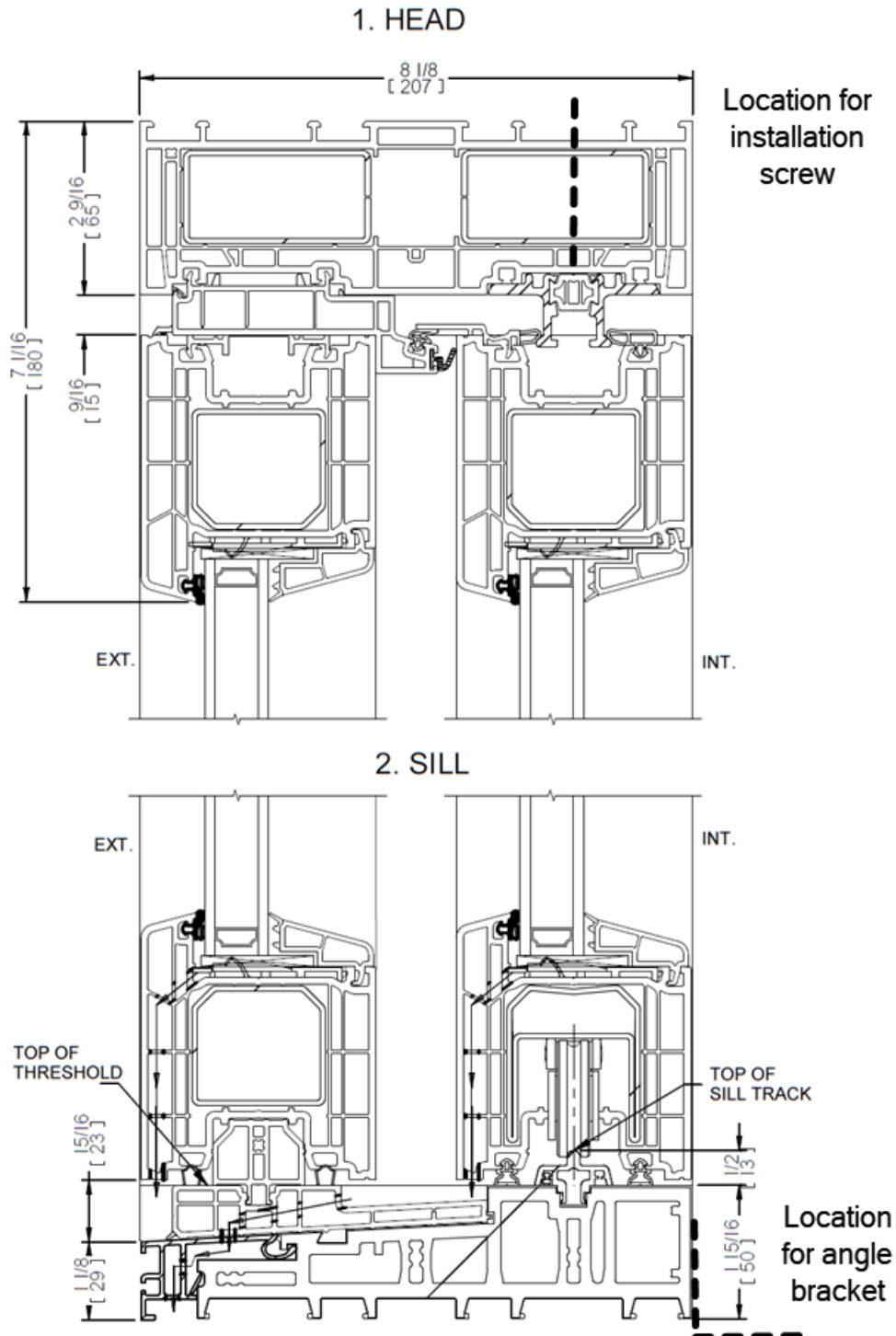
Care must be taken to ensure safe load transfer and corresponding loading capacity of the wall.

Attention: The upper frame profile has to be cantilevered. That means that the profile must not be allowed to bend by its own weight. The use of shims and/or installation foam at the head of the element are not permitted! The permissible deflection of header beams or floor slabs must be taken into consideration. In the future the service person can re-tighten the upper fastening screws if the deflection of header beams or floor slabs require it!

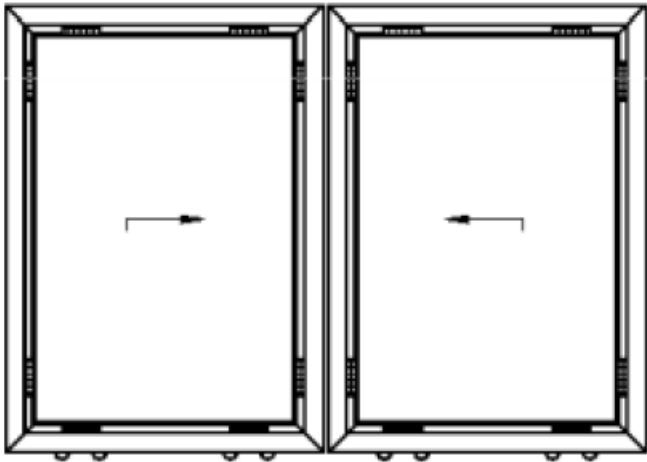
2.5 PremiDoor76 Cross section



2.6 PremiDoor88 Cross section



3.0 Shimming the glass unit



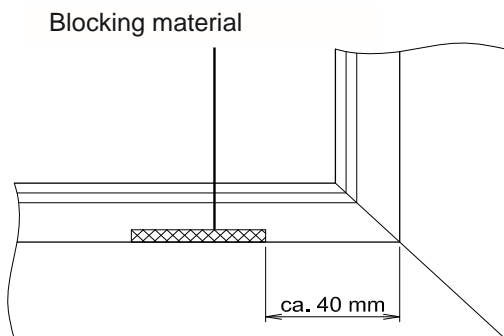
Bearing blocks = bottom

Spacer blocks = sides + top

Note: Spacer blocks 200 mm from the inside corner (e.g. due to temperature related movements of the window element).

3.1 The distance of bearing blocks from the inside corner is approx. 40 mm for opening sashes. They must be placed directly above the bogie wheels. If additional bogies are installed, then additional bearing blocks need to be installed directly above those bogies as well.

Attention: For glass unit edge lengths from 1300 mm, an additional spacer block must be provided in the centre.



Ancillaries: **M137** clip-on bridge blocks

Blocking material:

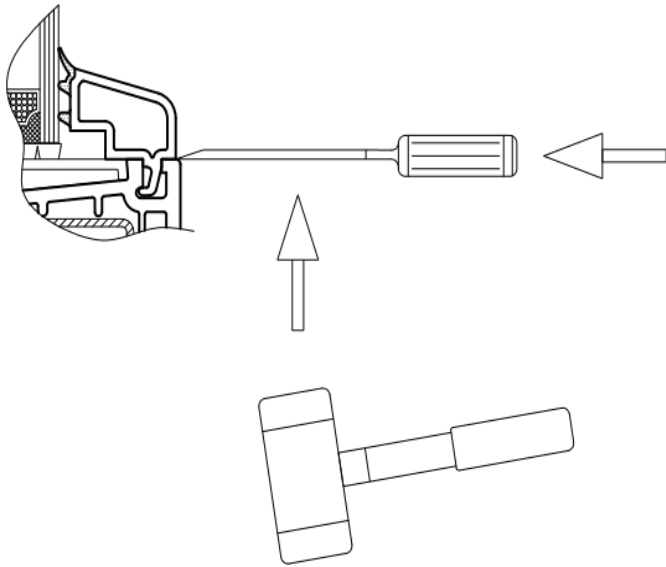
Block length = 100 mm

Block width = min. 2 mm wider than the insulating glass unit.

The overall thickness of the insulating glass unit must rest on the bearing blocks.

4.0 Glazing beads

4.1 For a careful removal of the glazing bead, a multi-tool would be ideal. If the glazing bead is too tight you can use a hammer (rubber or plastic) to help.



Multi-tool

4.2 Insert glazing beads with the locking foot into the glazing bead groove and pound them in with a rubber hammer. First, install the horizontal glazing beads into place. Add neutral-cure silicone sealant to both bottom mitered glazing bead corners before placing the vertical two beads (Fig. 3).



Fig. 3 Add neutral-cure silicone sealant

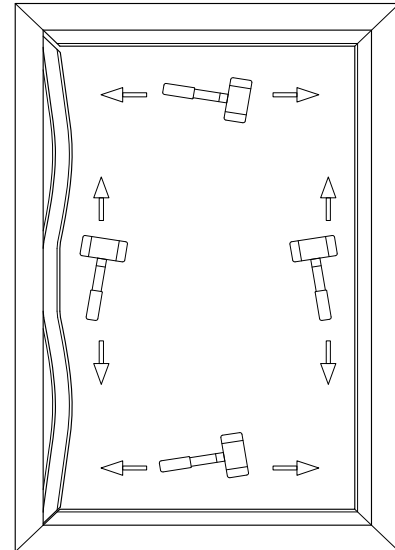


Fig. 4 Installing the glazing beads

Then bend the vertical glazing beads and insert the ends into the mitres in the glazing bead groove and install them into place starting from the centre (Fig. 4).

After finishing installing the glazing beads ensure that the sash profile members of the sash are perfectly straight to ensure proper sealing of the sash to the surrounding frame or interlock profiles when locked.

Please consider that this instruction is only intended as a guide and are not general regulations!