



BERDICK
WINDOWS & DOORS

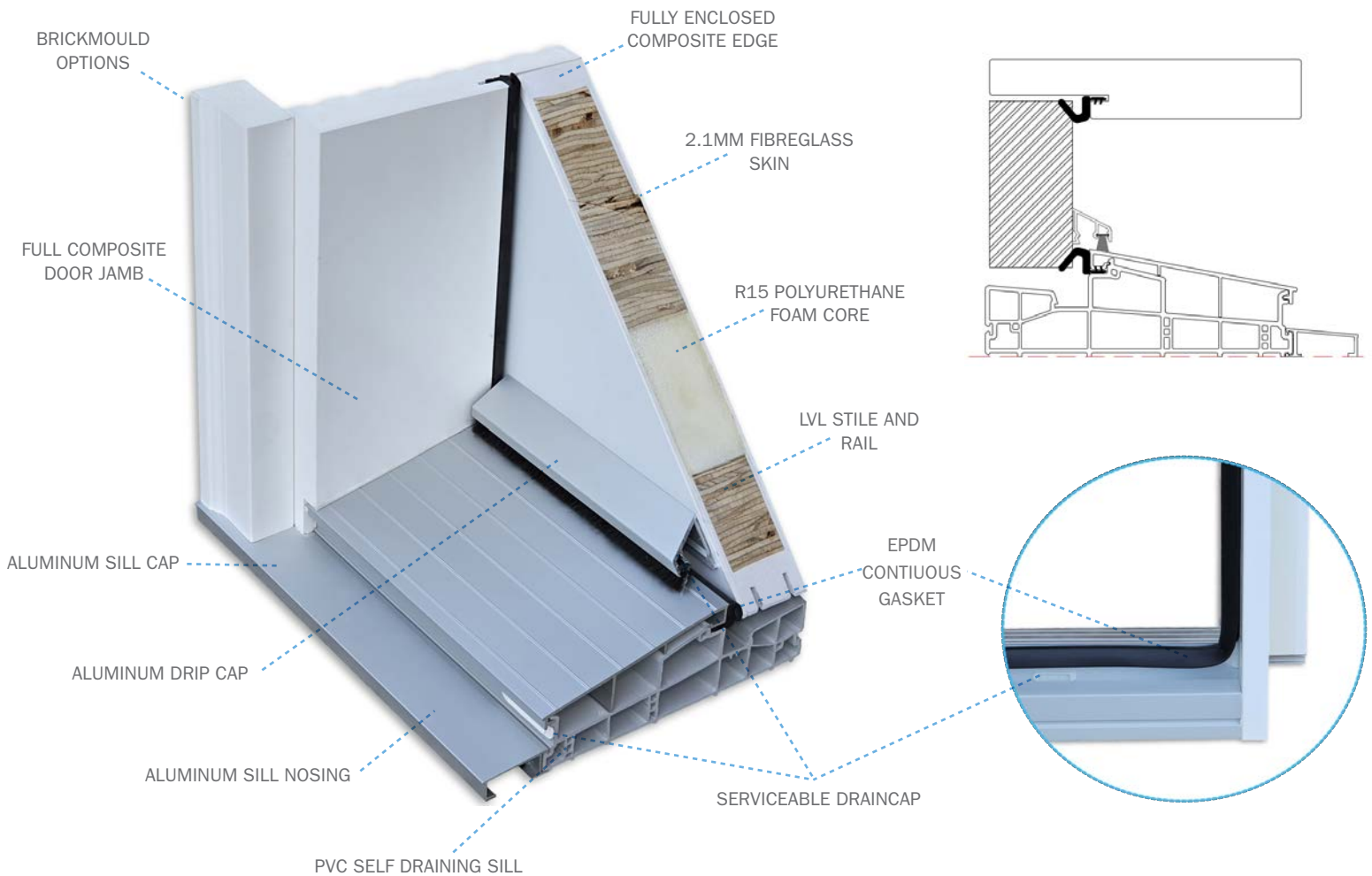
PRODUCT SPECIFICATION

FIBREGLASS DOOR



Custom
is the new normal.

FIBREGLASS DOOR



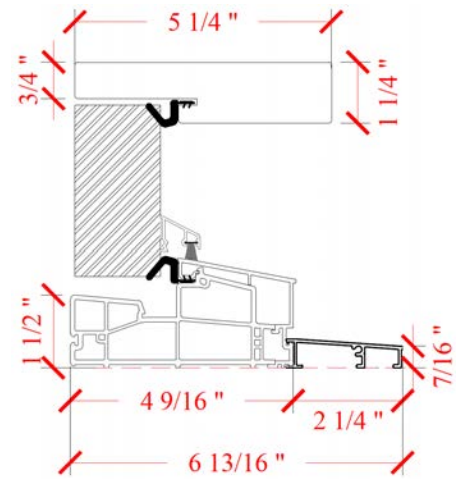
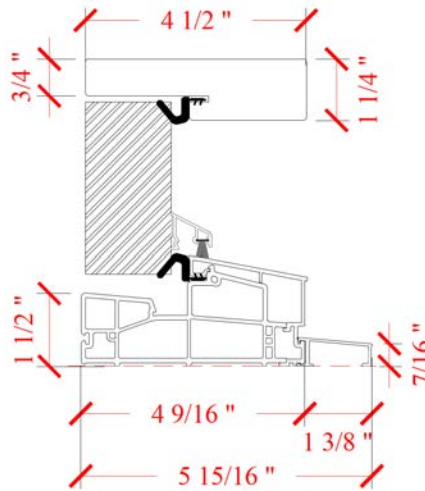
STANDARD COMPOSITE DOOR JAMB

- ✓ Maintenance Free, Moisture and Rot Resistance
- ✓ White composite smooth is UV Stabilized; will never requires a paint finish
- ✓ Stainable composite woodgrain to match fibreglass woodgrain doors
- ✓ Resilient holding performance

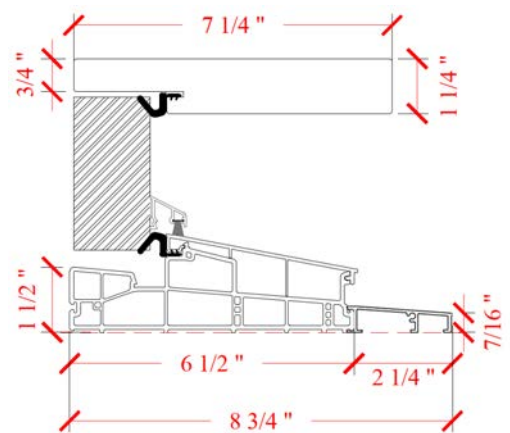
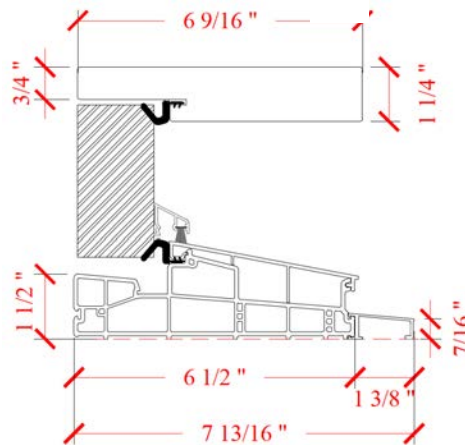
FIBREGLASS DOOR / STANDARD AVAILABLE SILL SIZES



WHITE COMPOSITE SMOOTH

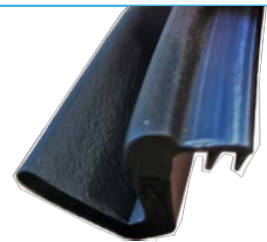


**STAINABLE COMPOSITE
WOODGRAIN**



EPDM DOOR WEATHERSTRIP

- ✓ **Zero wicking** - which effectively eliminates the possibility of the weatherstrip freezing
- ✓ **Pliability** - even in extreme cold temperatures; ensures a tight seal between doorslab & door frame
- ✓ **Adjustability** - for ease of adjustments & operation; all Berdick doors now come with an adjustable strike plate
- ✓ **Continuous Sealing** - which ensures the best possible sealing around the entire frame, with no corner connection spots



FIBREGLASS DOOR

MULTI - POINT DOOR LOCK BY DOOR HANDLES

IEGENIA[®]
brings spaces to life



TOKYO



TOULON



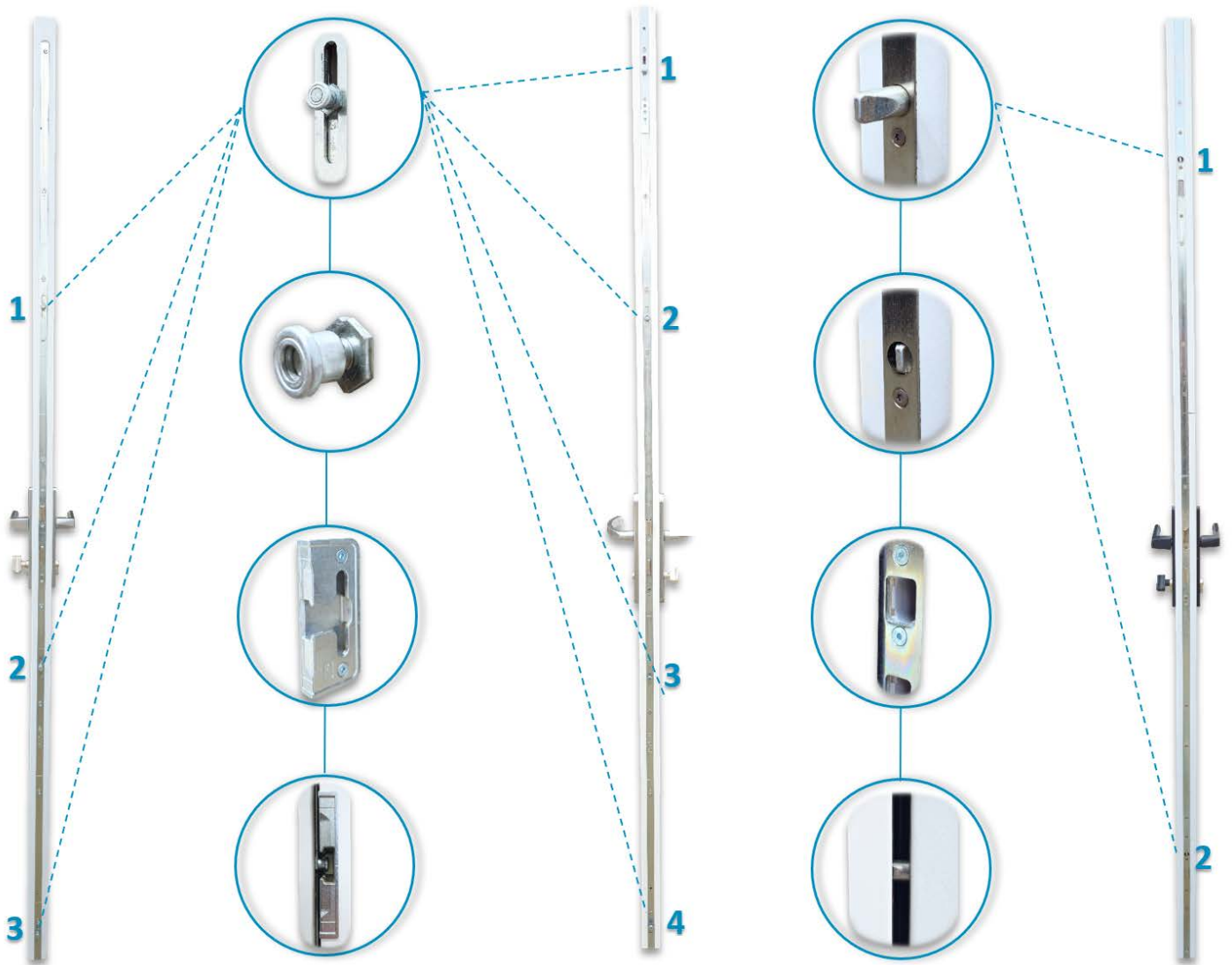
LUXEMBOURG

DESCRIPTION

Mushroom Style Multi-Point Lock System Includes Tokyo Handle In Titanium Finish

- Upgrade Titanium Finish Handle To Black Or White Finish
- Upgrade Tokyo Handle Titanium Finish To Premium* Handle Titanium Finish
- Upgrade Mushroom Style Lock System To Pin Style Lock System
- Add Mushroom Style 4th Latch/ Keeper (Mandatory For 8' Doors)
- Key Locks Alike, Priced Per Door

*Premium Handle Options Are Luxembourg & Toulon



ECONO 3-POINT

STANDARD 4-POINT

PREMIUM PIN STYLE

ECONO 3-POINT

The Mushroom Style ECONO 3-Point Lock provides a reliable, tight and secure seal of our Door at an economical cost.

STANDRAD 4-POINT

The Mushroom Style STANDARD 4-Point Lock provides the highest level of tightness and security with the remote locking points being less than 12" away from edge of the Door Frame

PREMIUM PIN STYLE

The PREMIUM PIN Style Lock provides a reliable, tight and secure seal of our Door with a clean, premium look and hidden remote keepers.

BERDICK WINDOWS AND DOORS TEST REPORT

SCOPE OF WORK

STRUCTURAL TESTING ON COMPOSITION SERIES, SIDE HINGED DOOR (IN-SWING) WITH OPAQUE FIBERGLASS SLAB AND MULTIPOINT LOCK

REPORT NUMBER

P7162.03-750-44 RO

TEST DATES

05/16/24 - 05/17/24

SECTION 2

SUMMARY OF TEST RESULTS

TITLE	RESULTS
Design Pressure	±5760 Pa (±120.30 psf)
Uniform Load Structural Test Pressure	±8620 Pa (±180.03 psf)

SECTION 2

SUMMARY OF TEST RESULTS

TITLE	RESULTS
AAMA/WDMA/CSA 101/I.S.2/A440:22	Class R – Limited water, hardware not tested PG50 - Size tested 949 x 2070 mm (~37 x 81 in) – Type LW side-hinged door X
AAMA/WDMA/CSA 101/I.S.2/A440-17	Class R – Limited water, hardware not tested PG50 - Size tested 949 x 2070 mm (~37 x 81 in) – Type LW SHD X
Design Pressure	±4800 Pa (±100.25 psf)
Air Infiltration	0.2 L/s/m ² (0.04 cfm/ft ²)
Air Exfiltration	0.2 L/s/m ² (0.04 cfm/ft ²)
Canadian Air Infiltration/Exfiltration Level	A3
Water Penetration Resistance Test Pressure	0 Pa (0.00 psf)
Water Penetration Resistance Test Pressure (Hardware Masked)	360 Pa (7.52 psf)